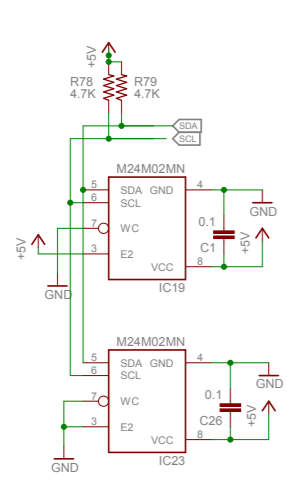
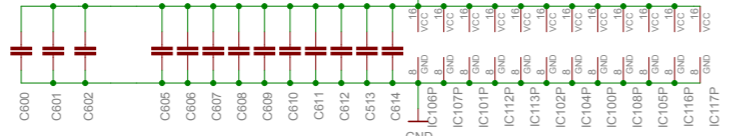


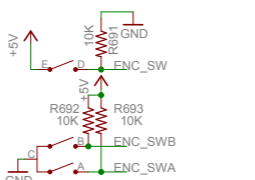
### Memory



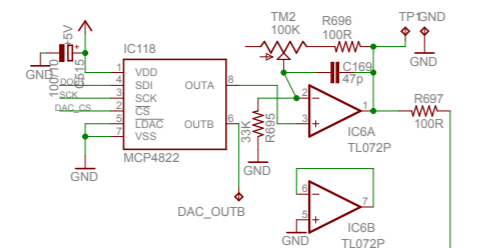
All PSU bypass capacitors are Ceramic 0.1uF



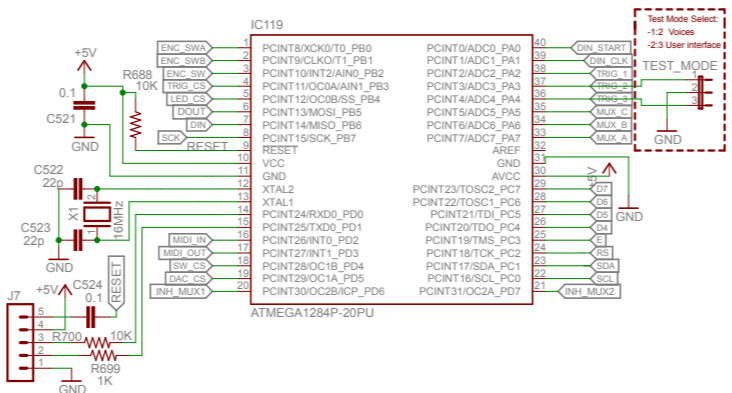
### Encoder



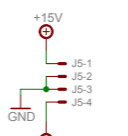
### DAC/Multiplexer



### Atmega1284P

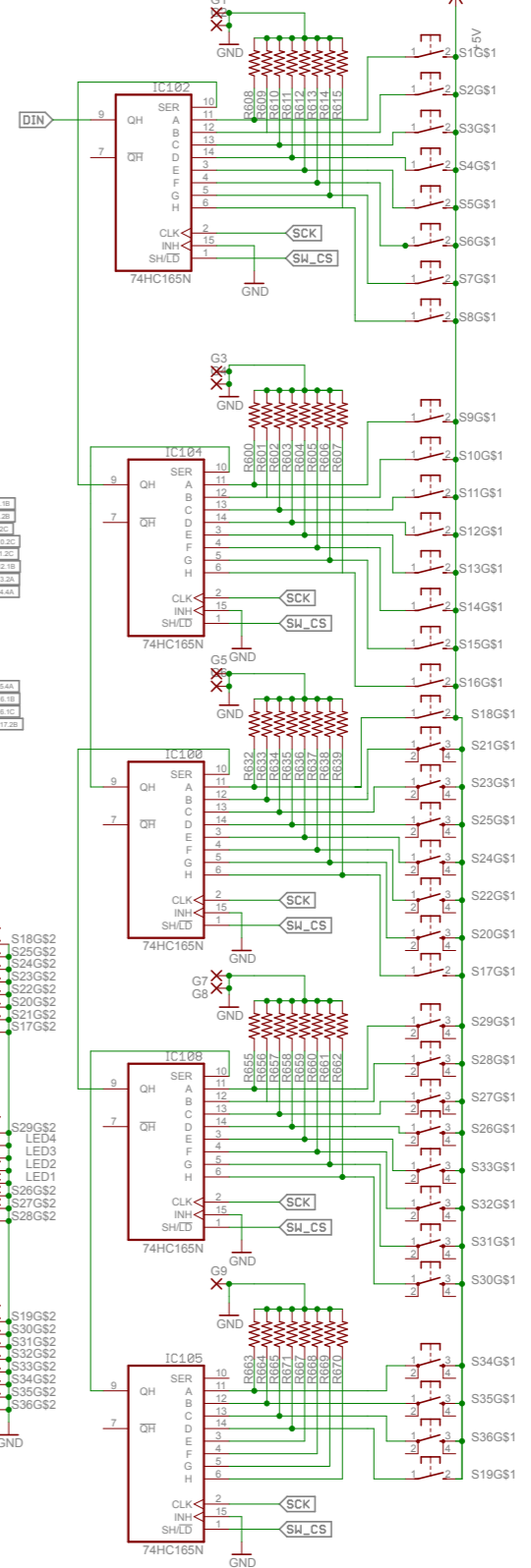


### PSU Connector



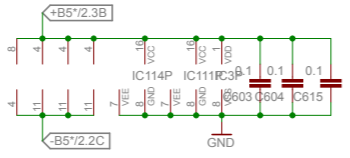
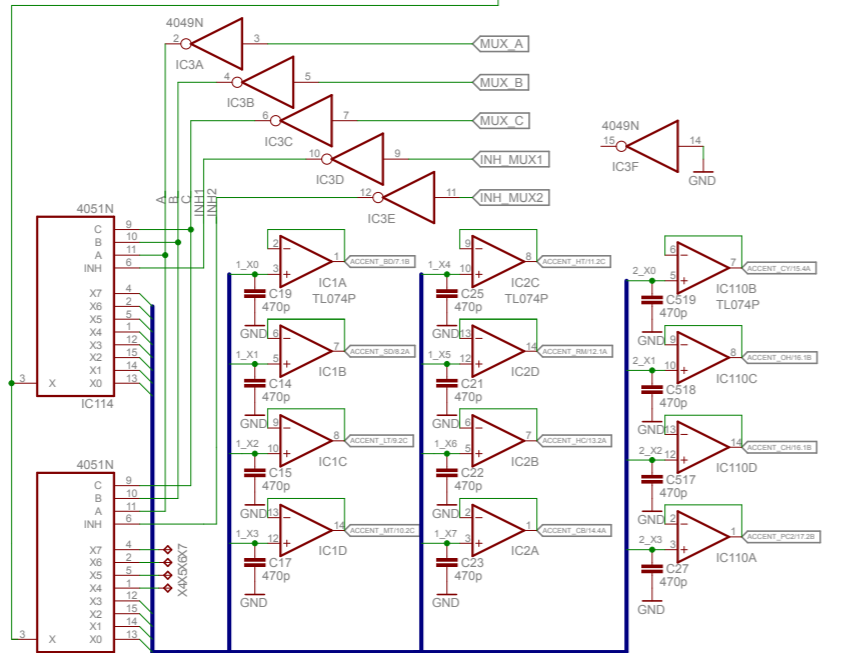
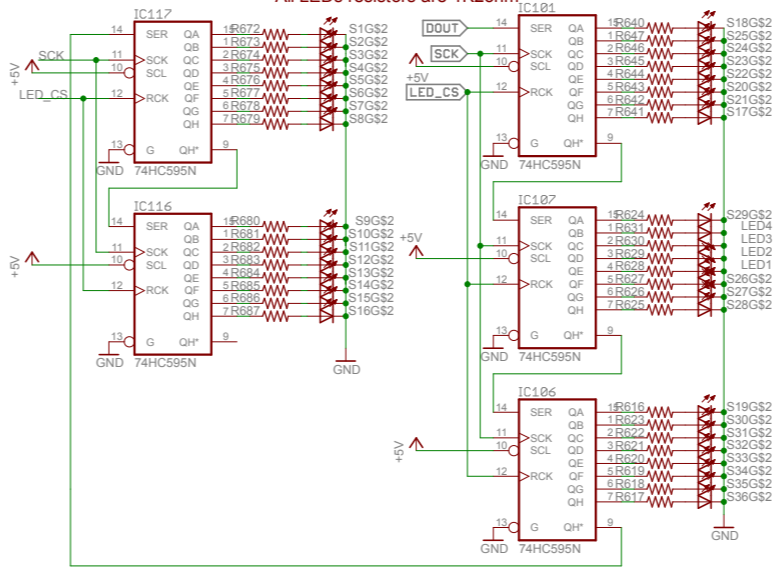
### Switches shift registers

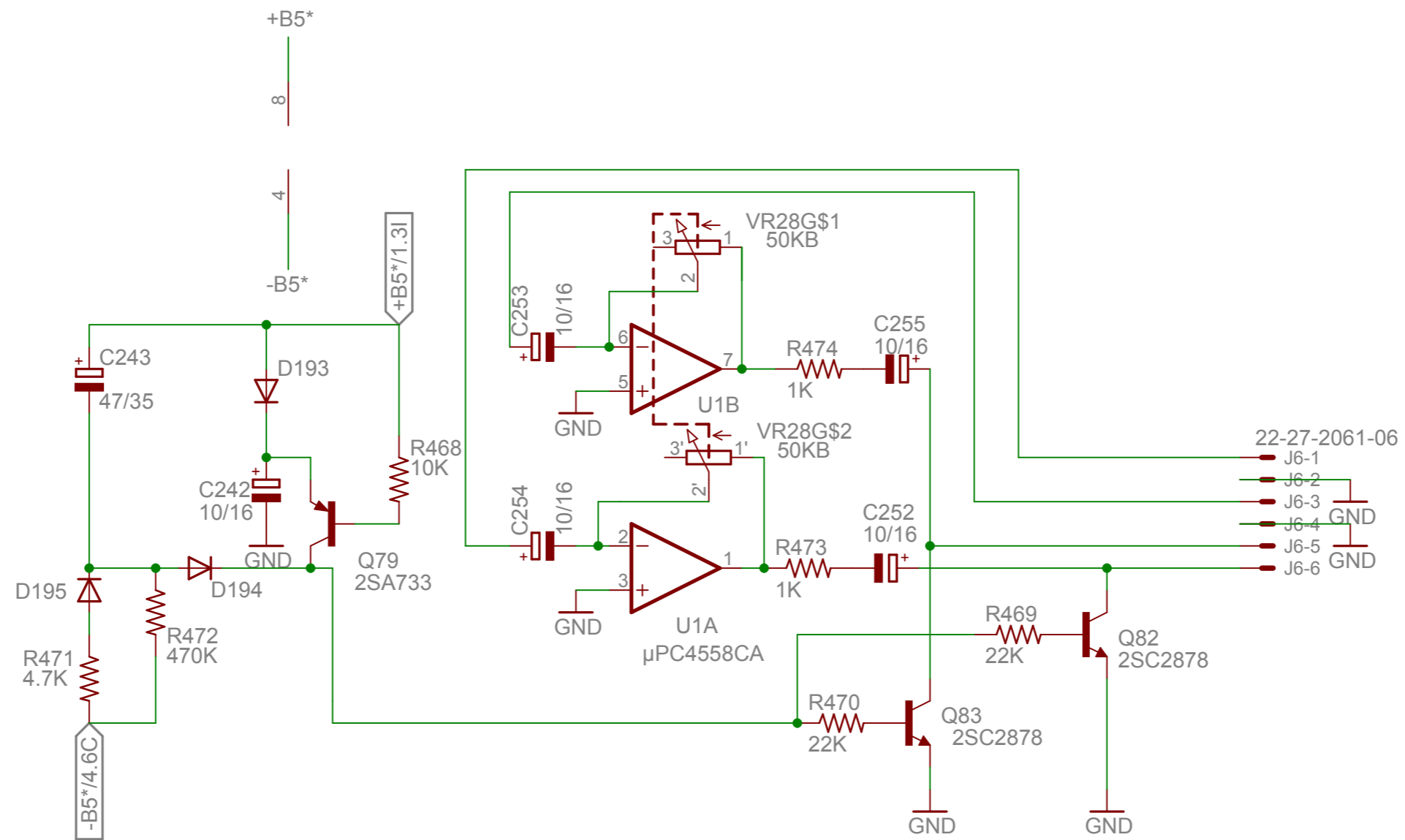
All pull-down resistors are 10Kohm



### LEDs shift registers

All LEDs resistors are 1K2ohm





1 2 3 4

A

A

B

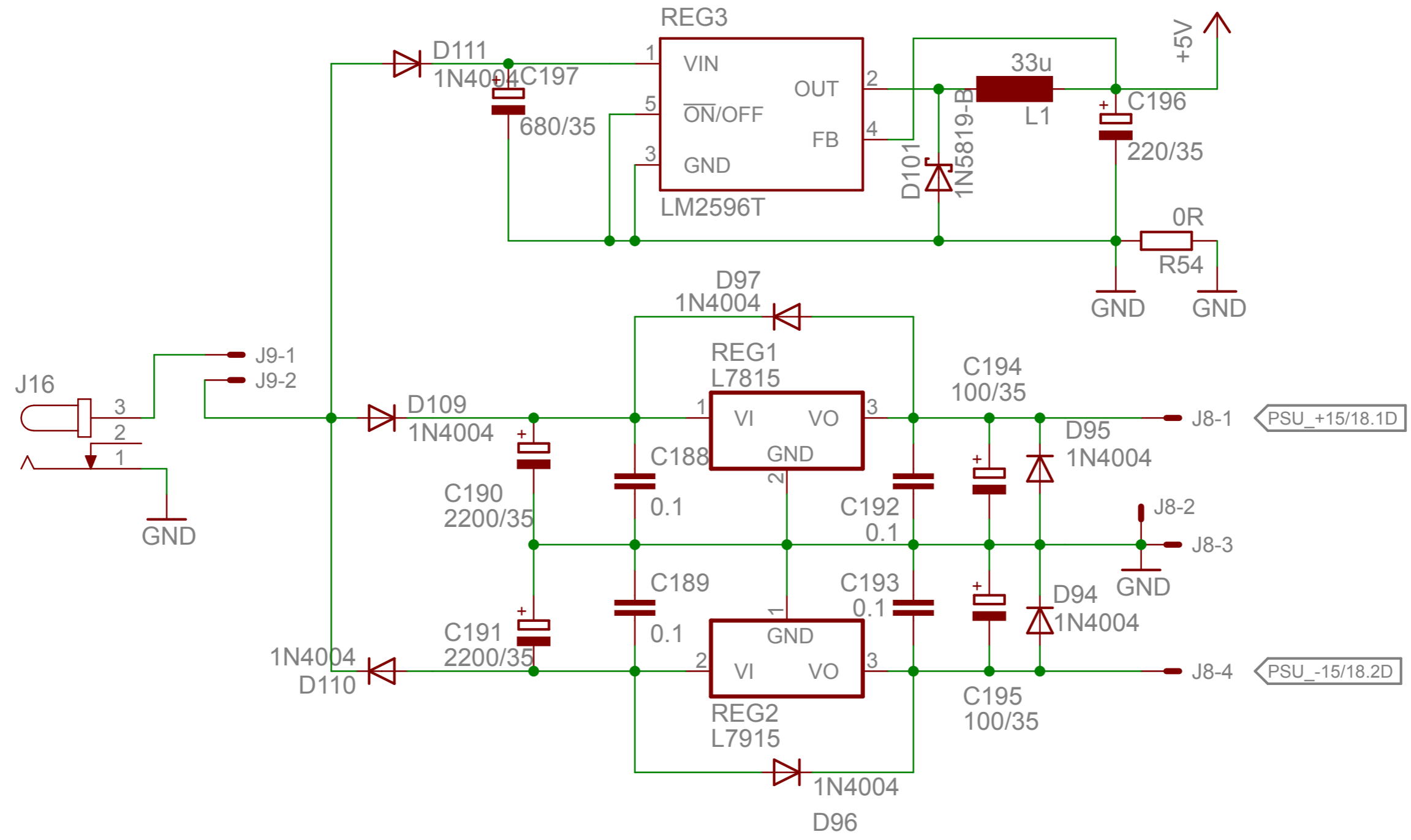
B

C

C

D

D

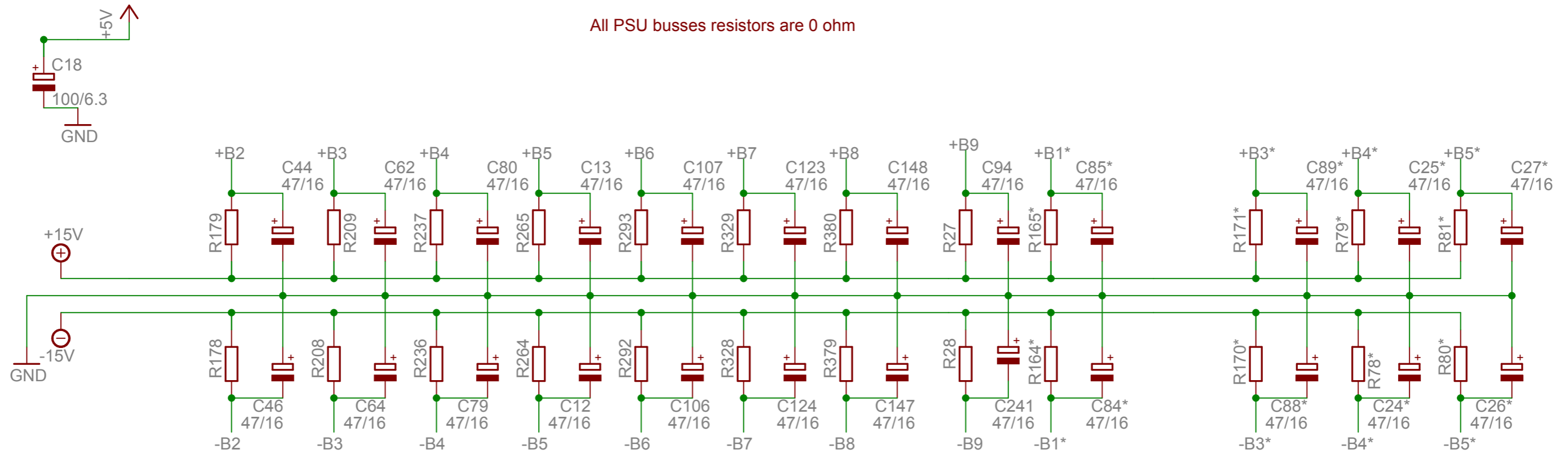


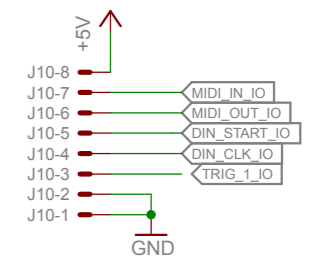
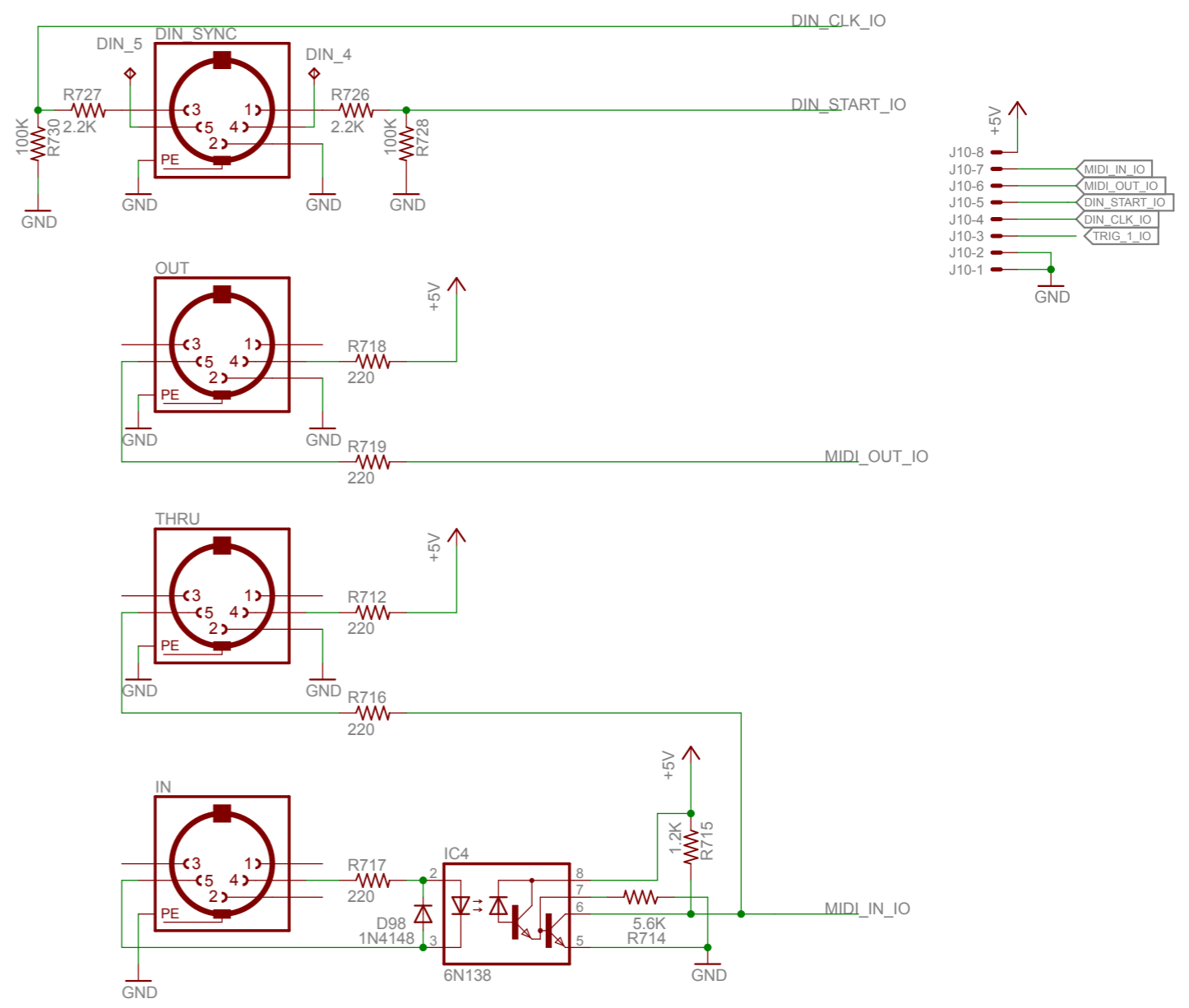
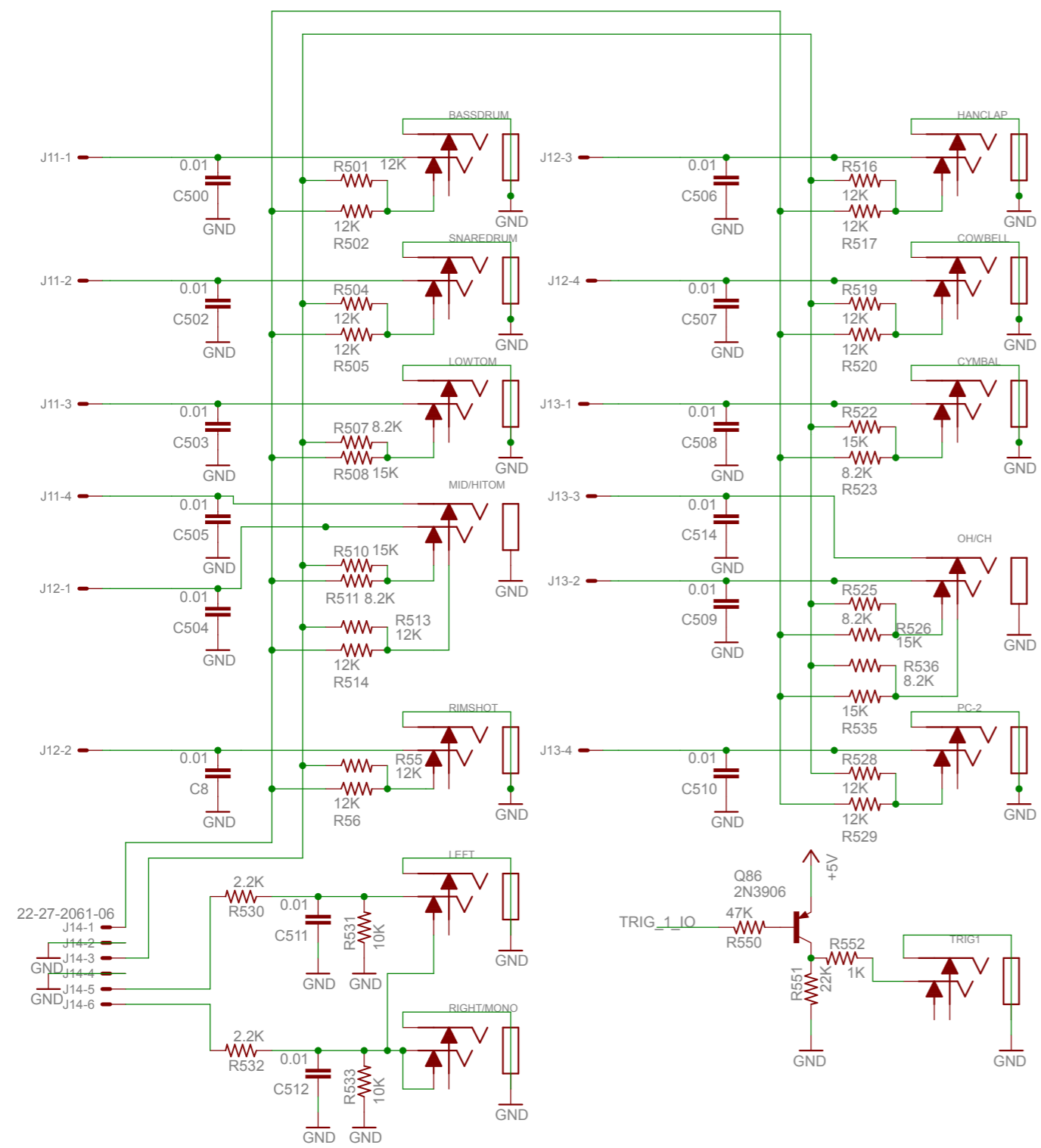
Yocto v2.007	
05/05/2017 09:33:17	
Sheet: 3/18	

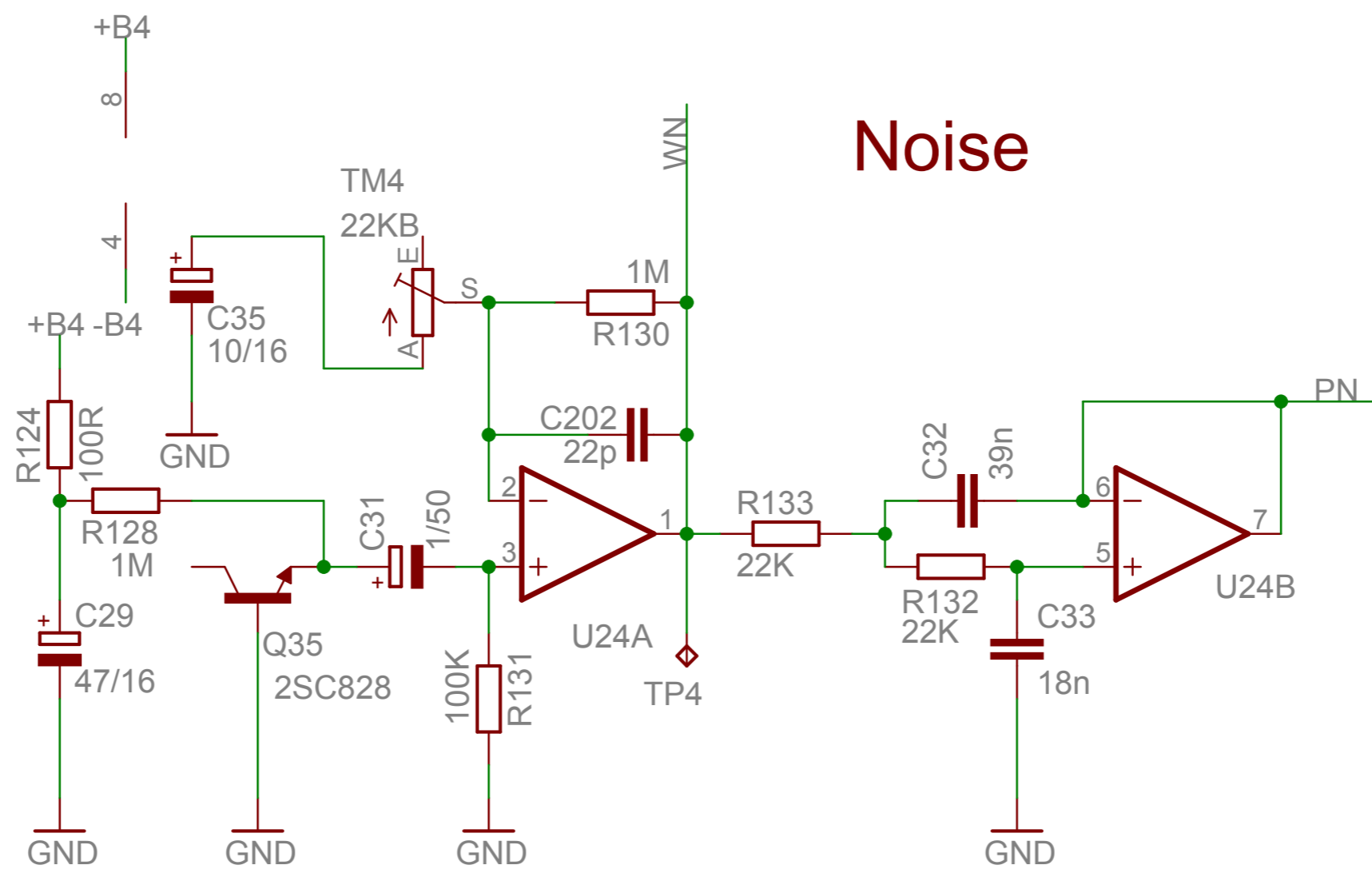
1 2 3 4

# PSU Busses

All PSU busses resistors are 0 ohm

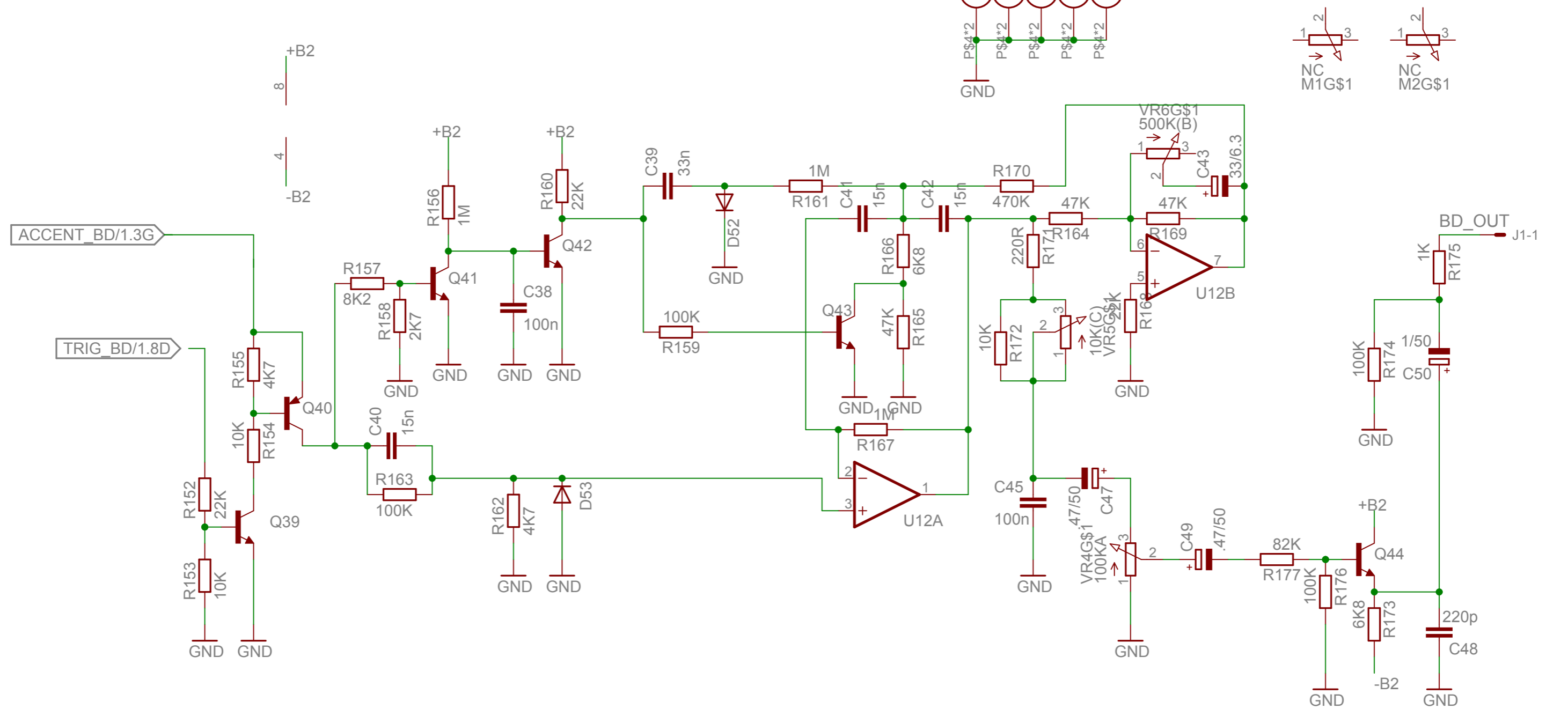




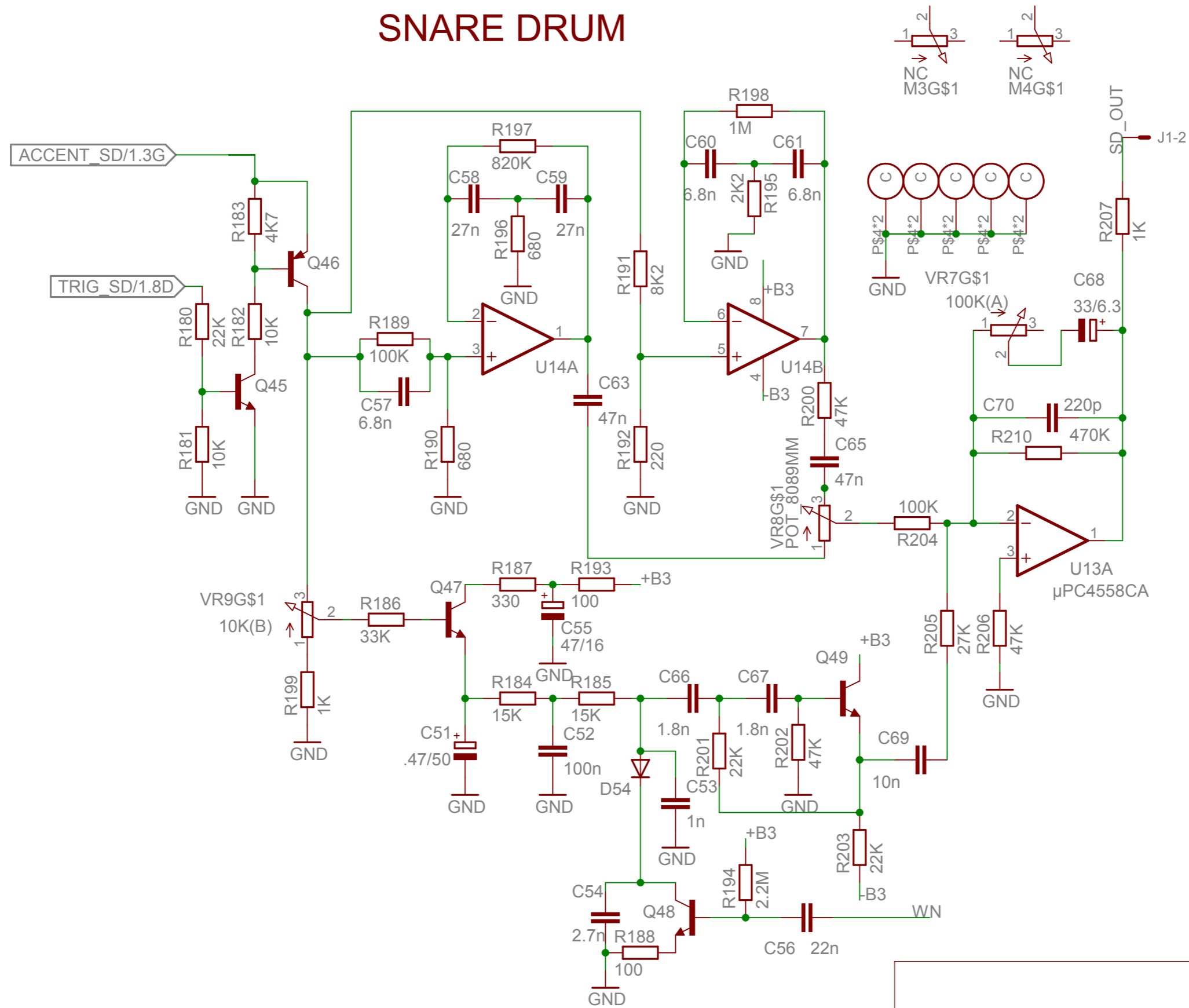


# Noise

# BassDrum

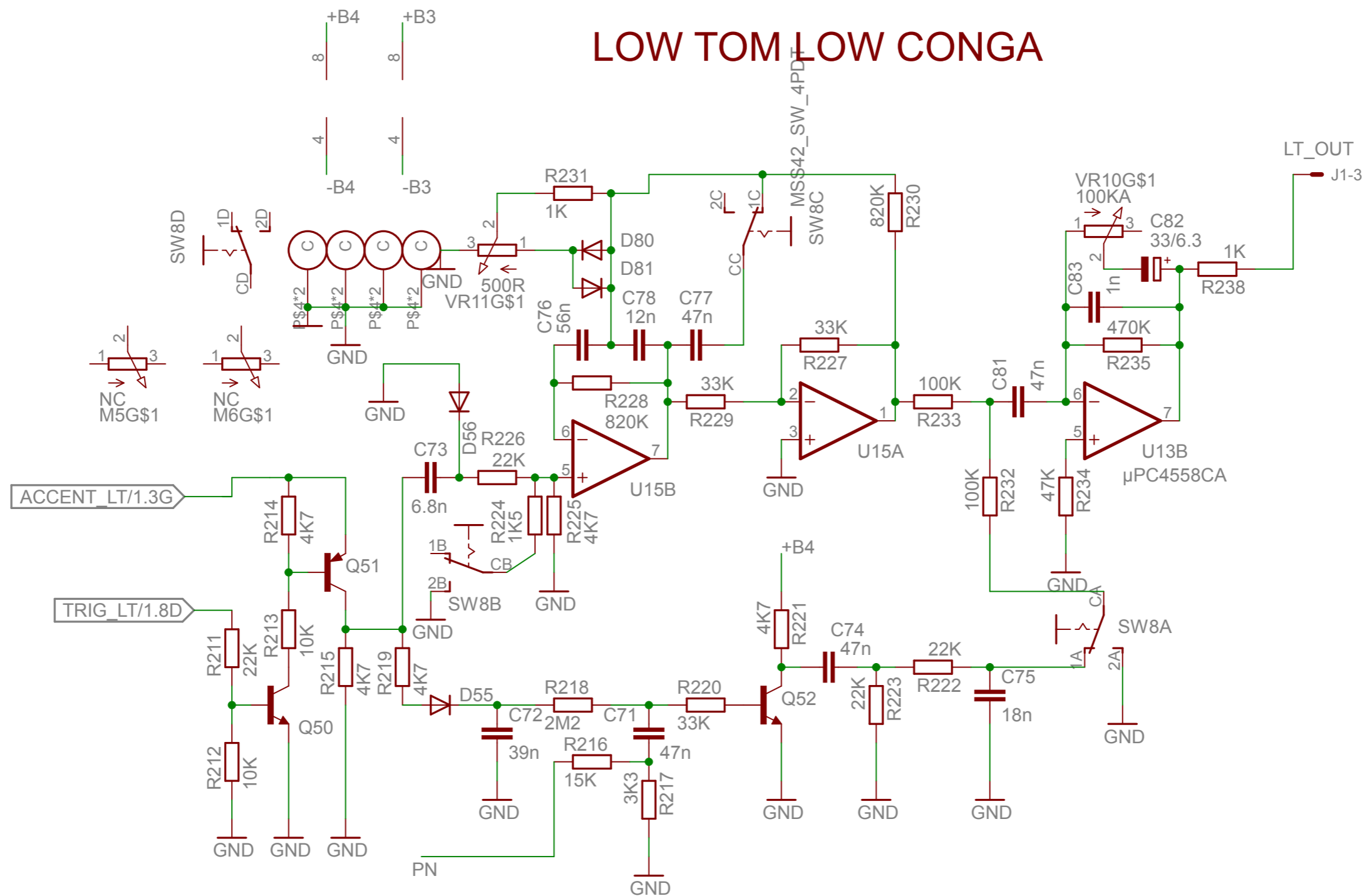


# SNARE DRUM

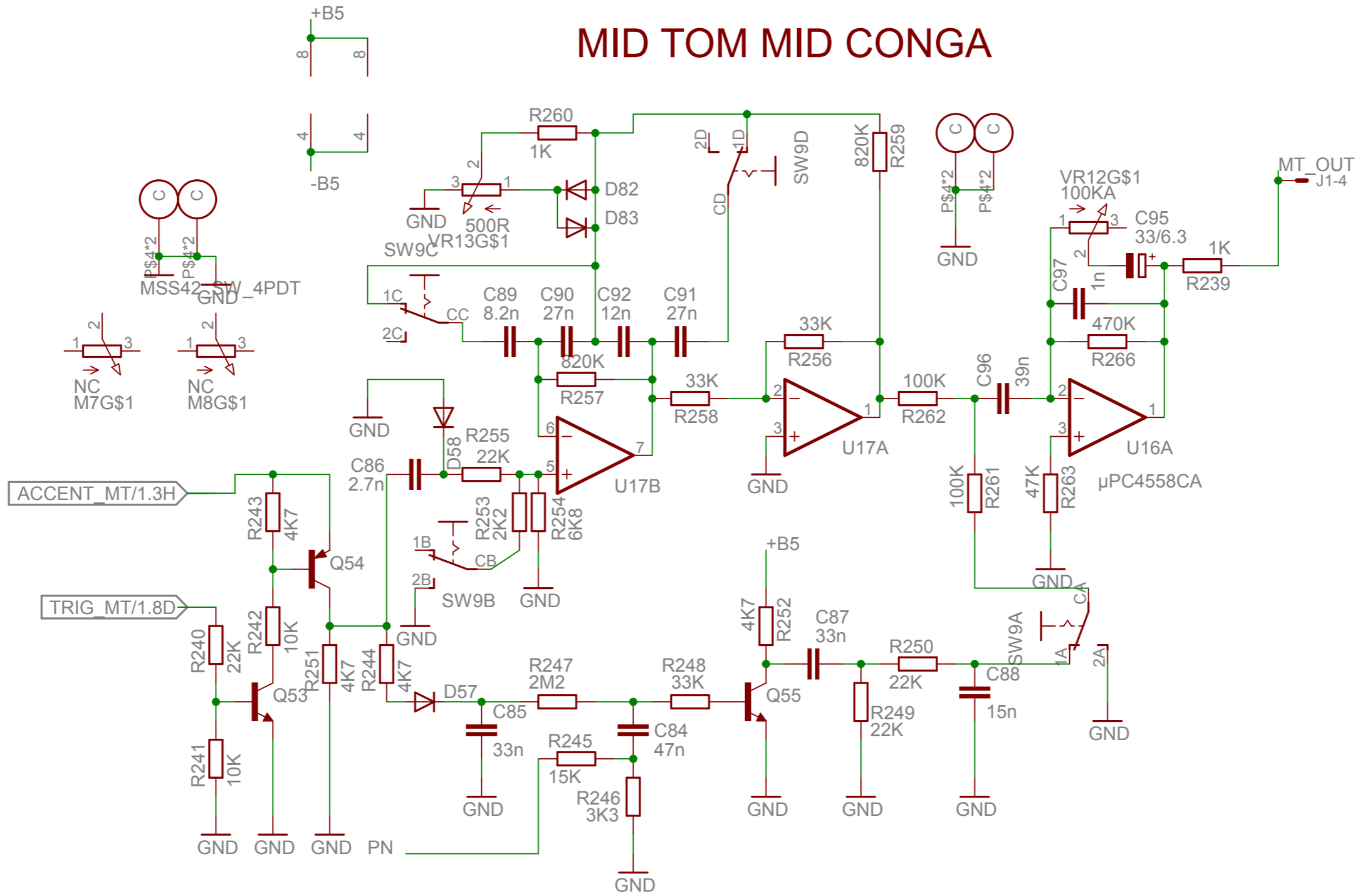




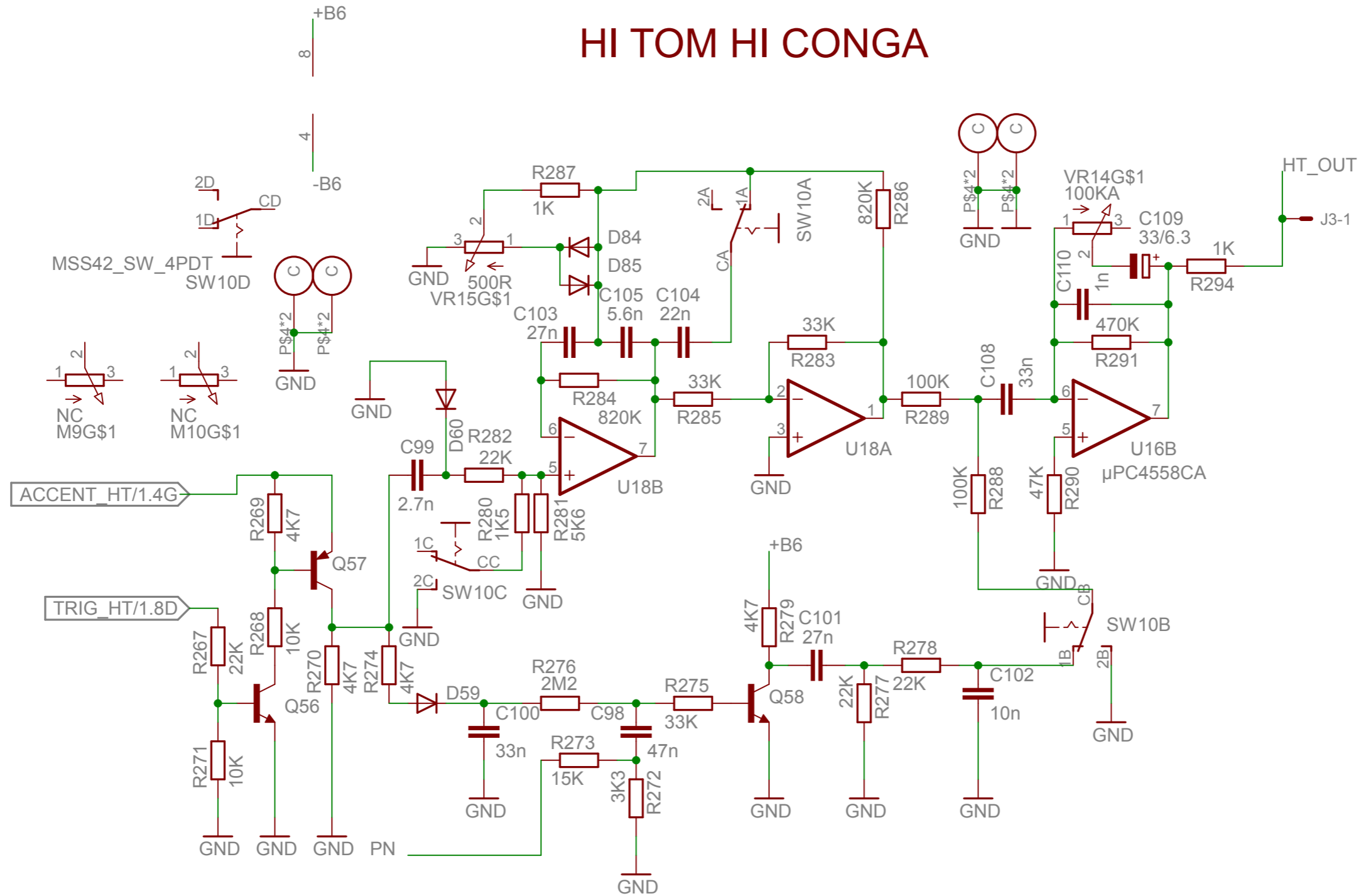
# LOW TOM LOW CONGA



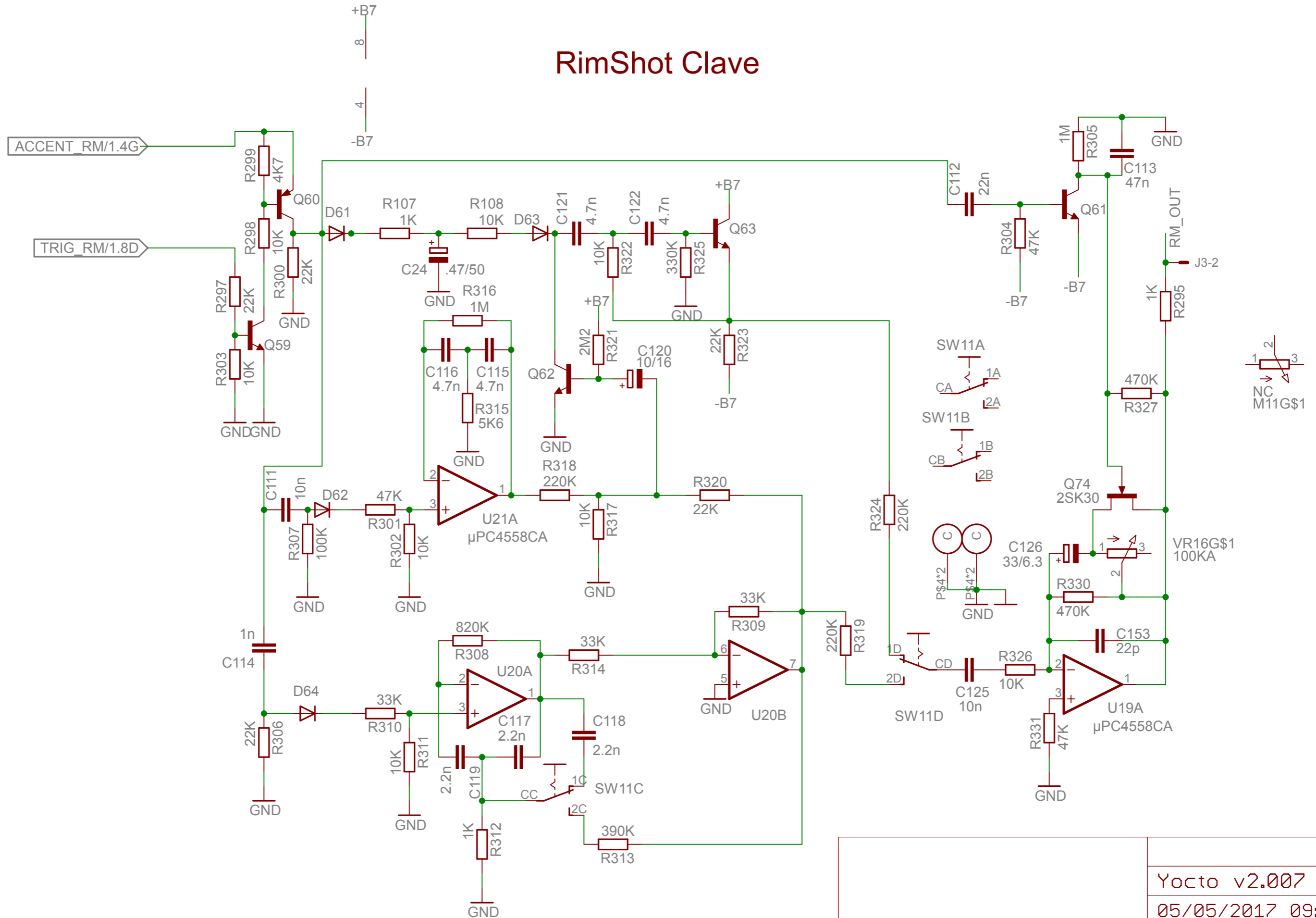
# MID TOM MID CONGA



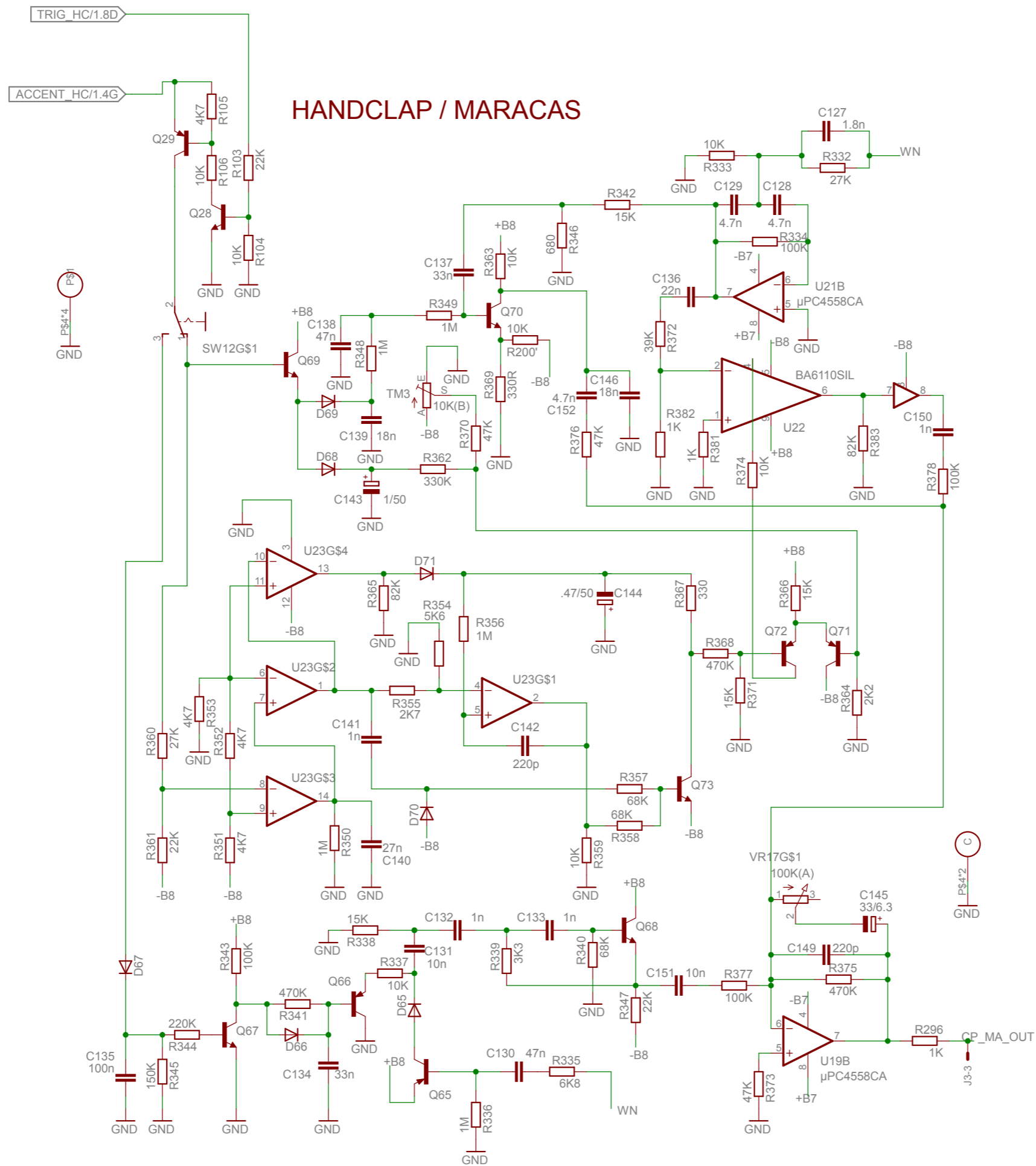
# HI TOM HI CONGA

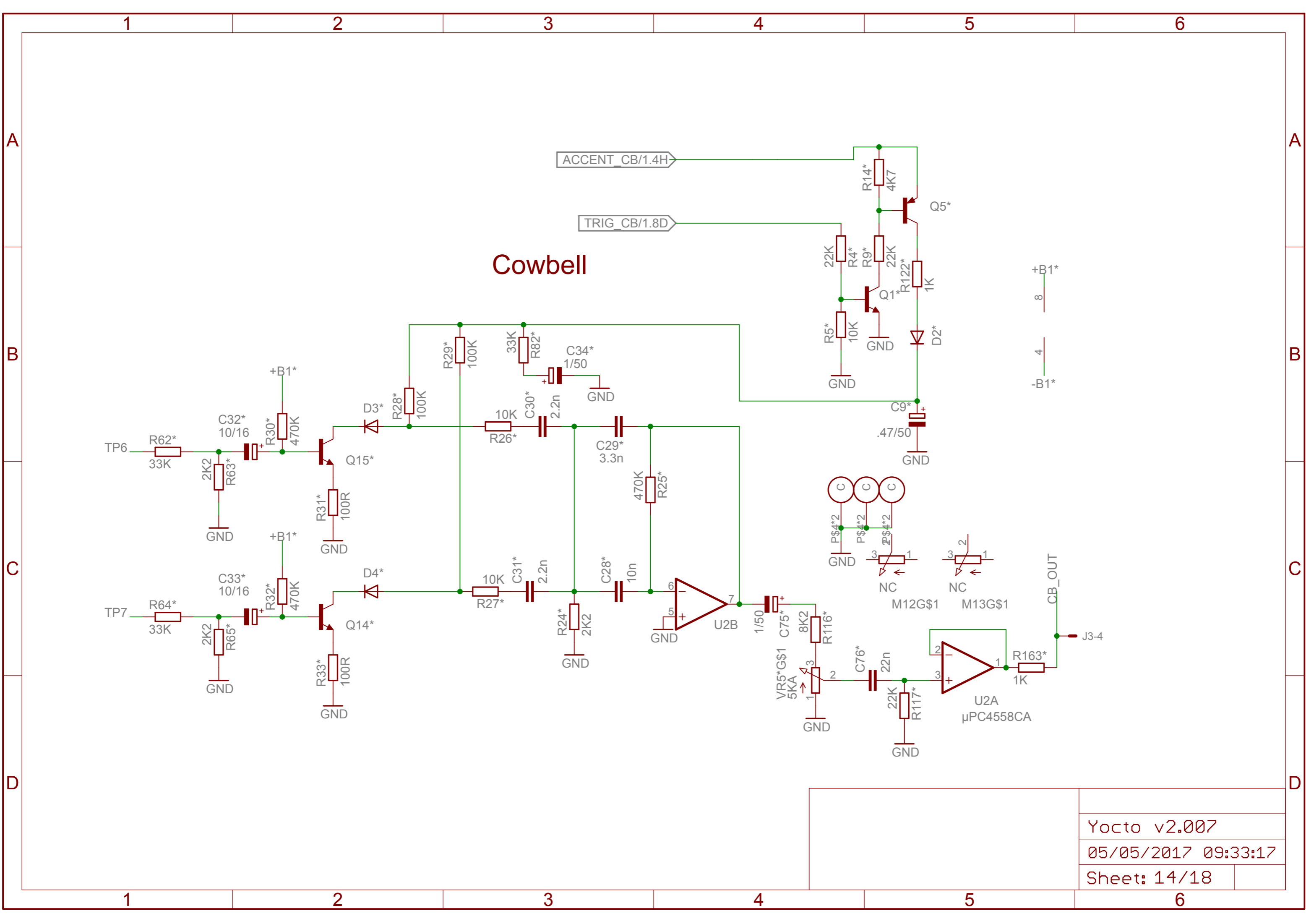


# RimShot Clave



# HANDCLAP / MARACAS





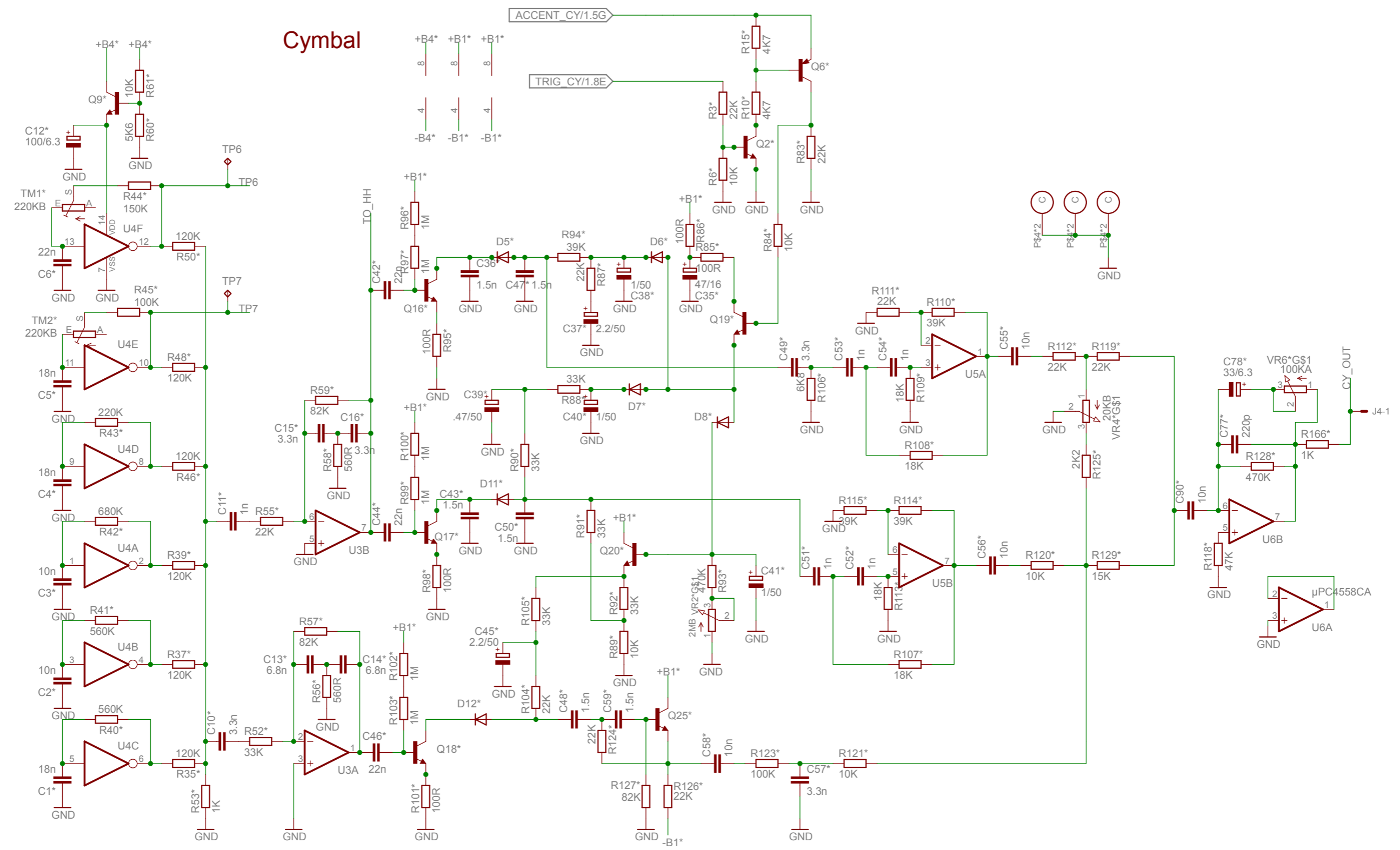
# Cowbell

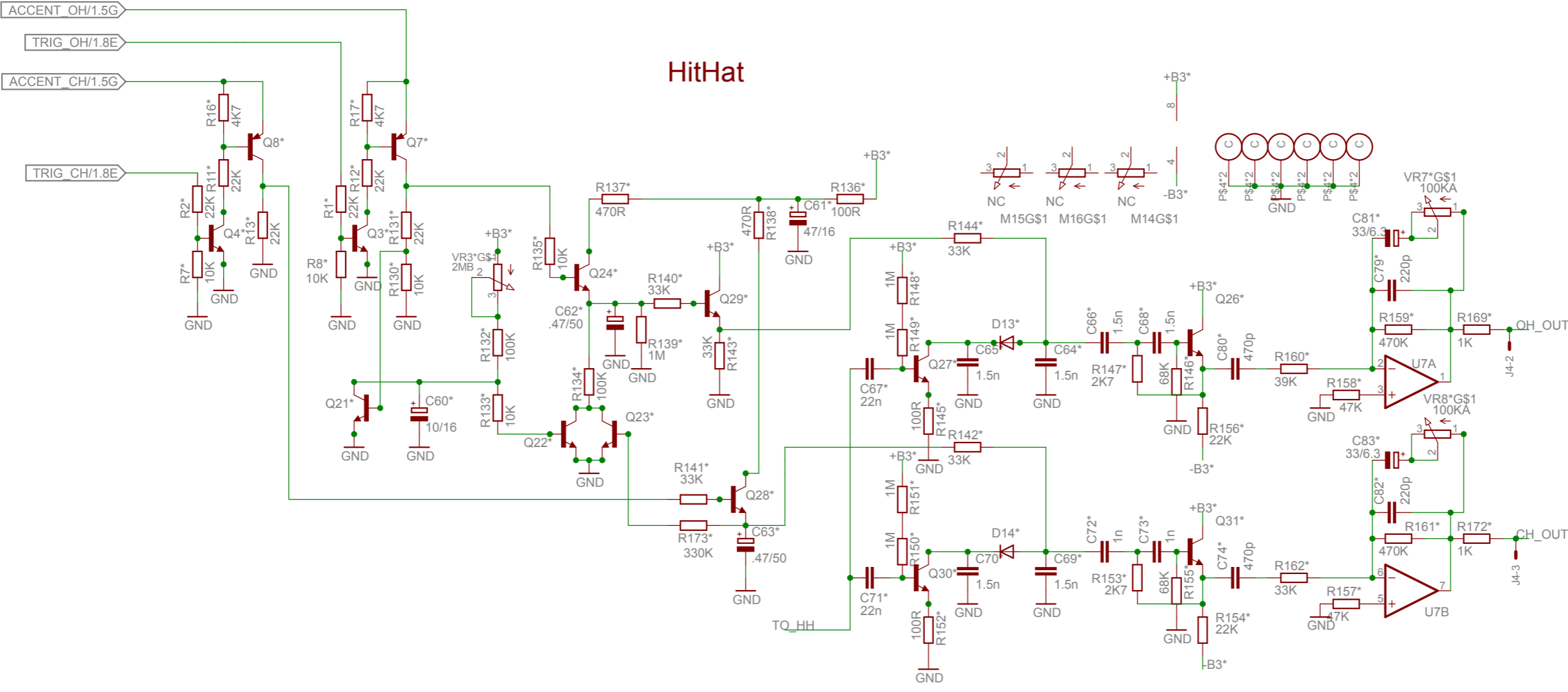
ACCENT\_CB/1.4H

TRIG\_CB/1.8D

+B1\*  
8  
4  
-B1\*

# Cymbal

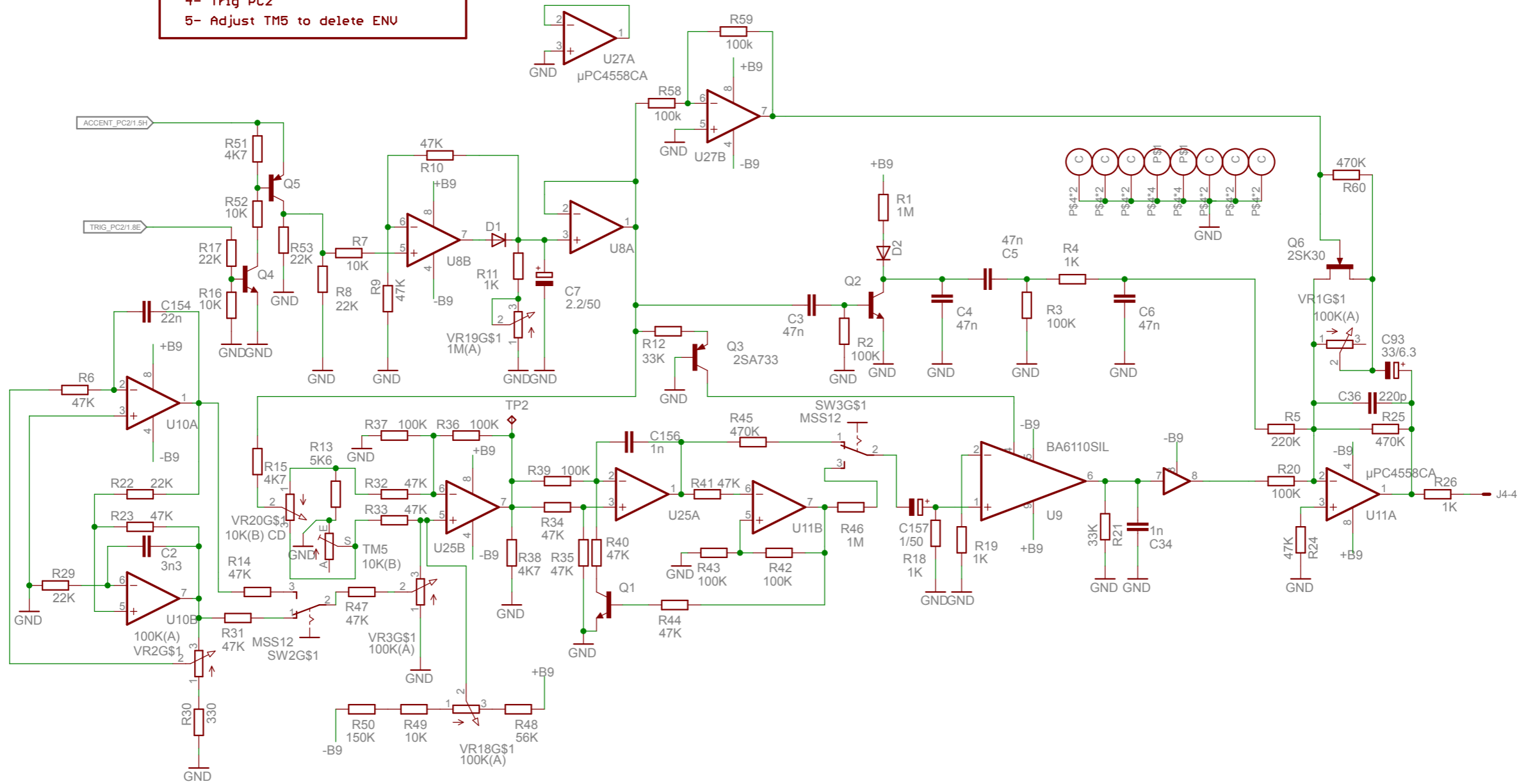






**Adjustments: UR20 center position**

- 1- Set VR18, UR3 and UR2 Full CCW
- 2- Scope to TP2
- 3- Set VR20 center position
- 4- Trig PC2
- 5- Adjust TM5 to delete ENU



1

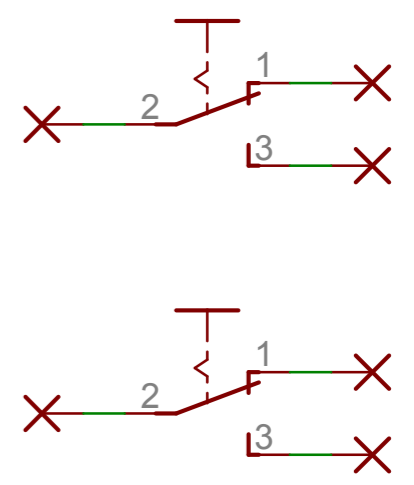
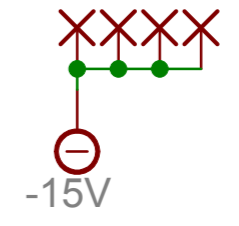
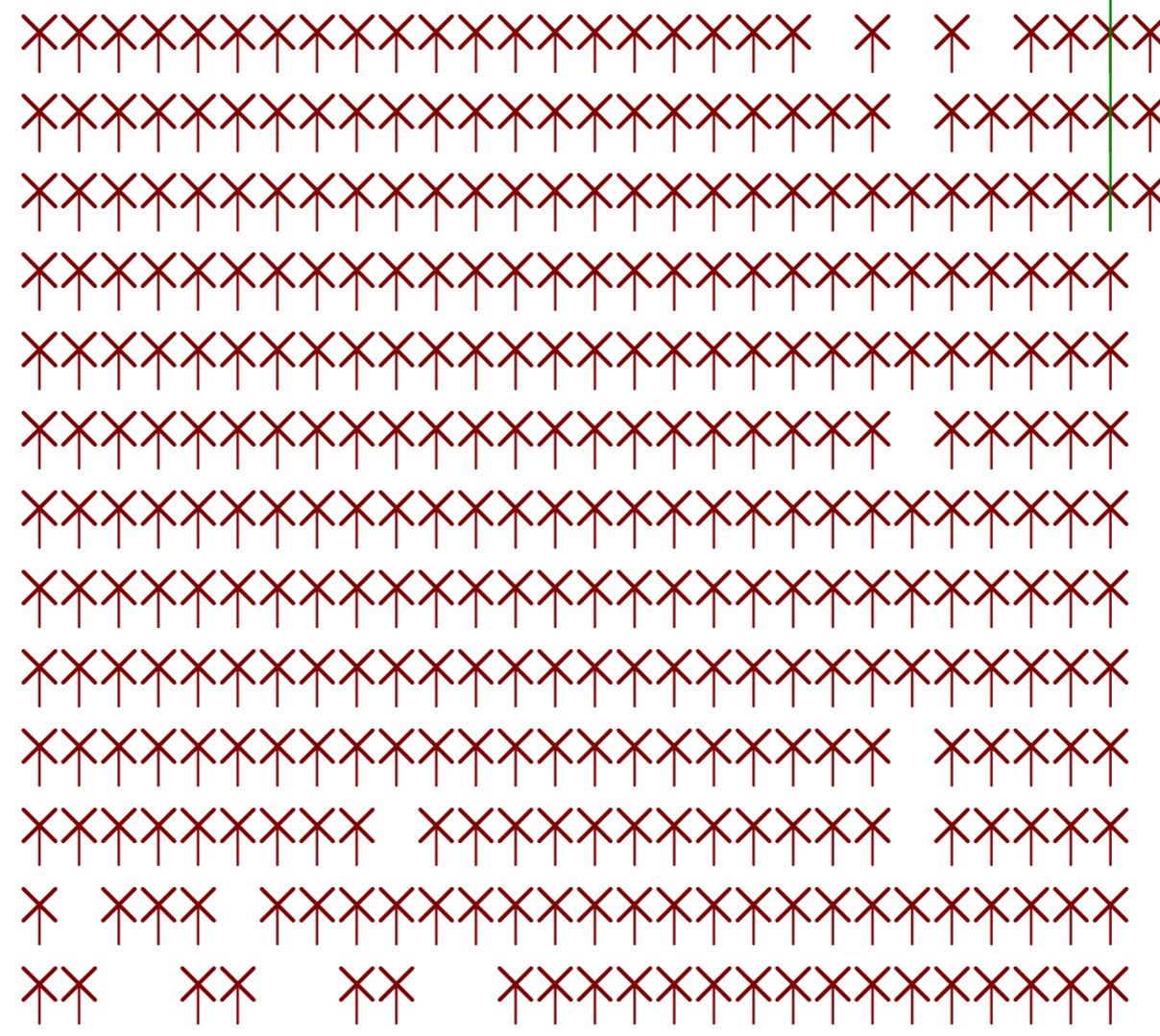
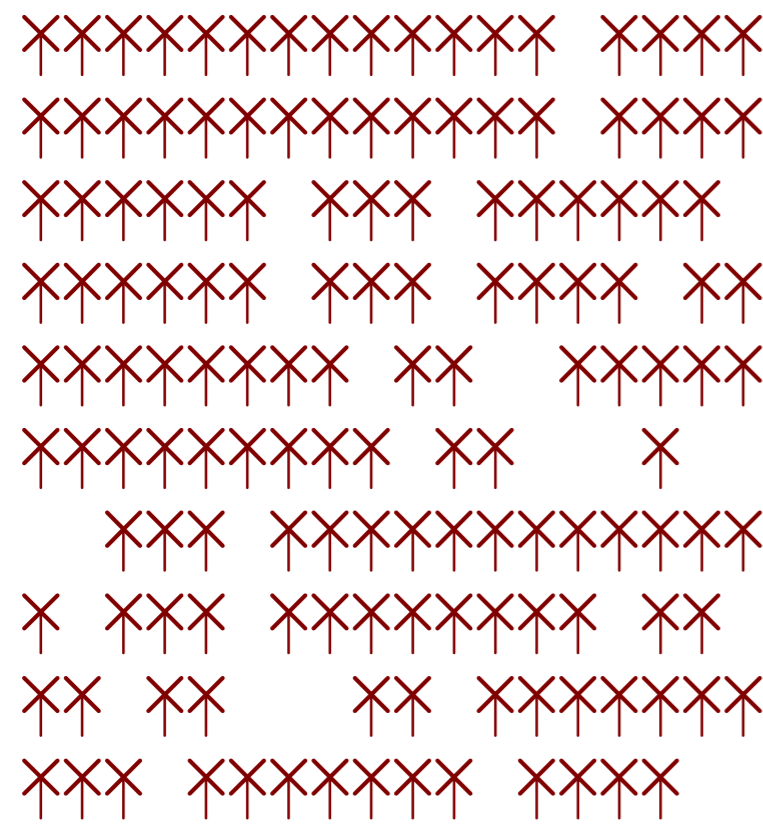
2

3

4

A

A

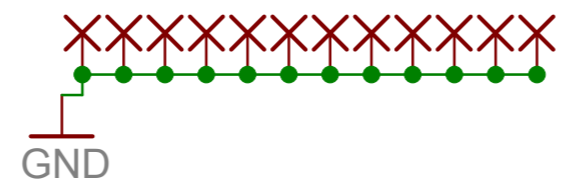
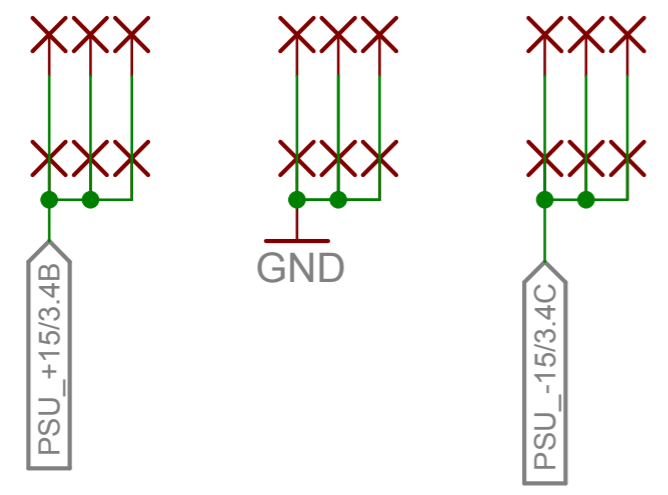


B

B

C

C



D

D

Yocto v2.007	
05/05/2017 09:33:17	
Sheet: 18/18	

1

2

3

4